

Illustration - Type - E

3 603 JD4 000  
 Issue/ Stand | 21-01-13 Fig./Abb. 1

Anzugsmomente  
 Torque values  
 Couple de serrage  
 Pares de apriete  
 Pos. 25 = 10 - 20 Nm  
 Pos. 54 = 1,1 - 1,3 Nm  
 Pos. 101 = 0,7 - 0,9 Nm  
 Pos. 107 = 2,0 - 2,5 Nm

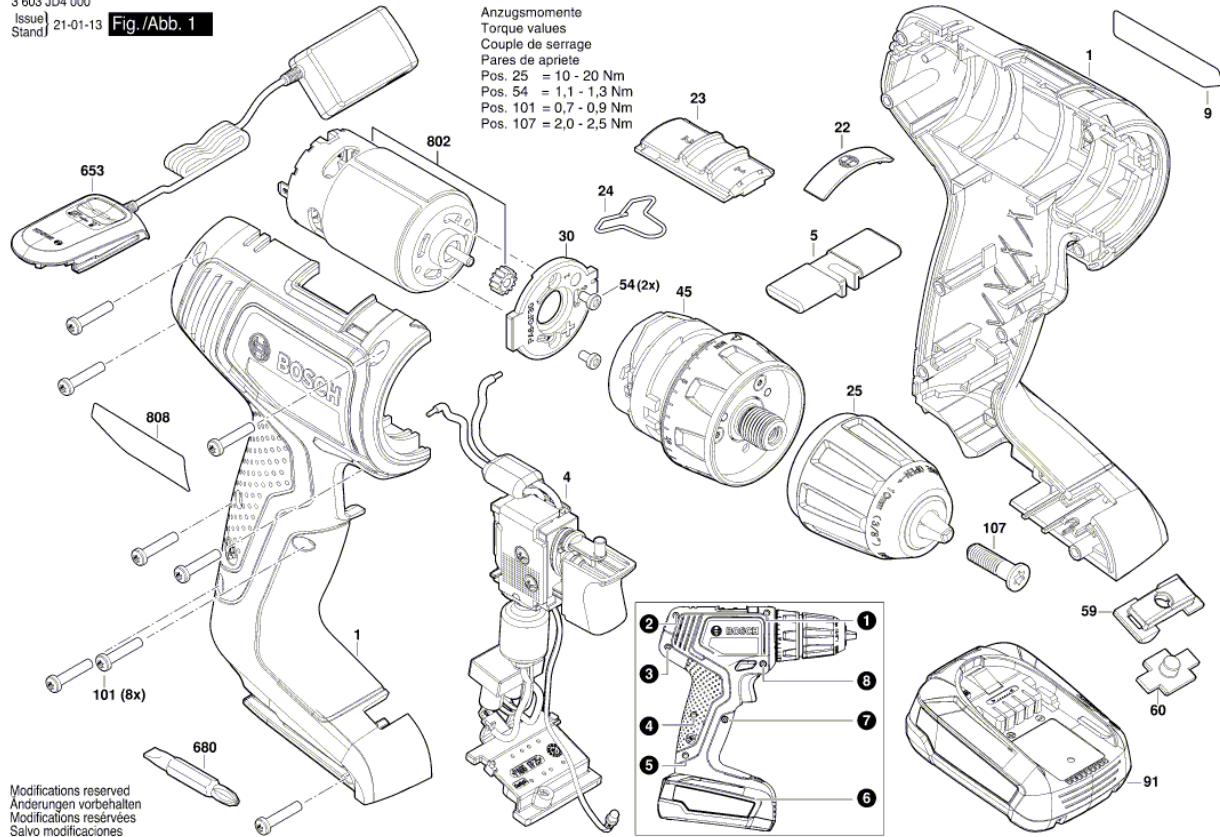
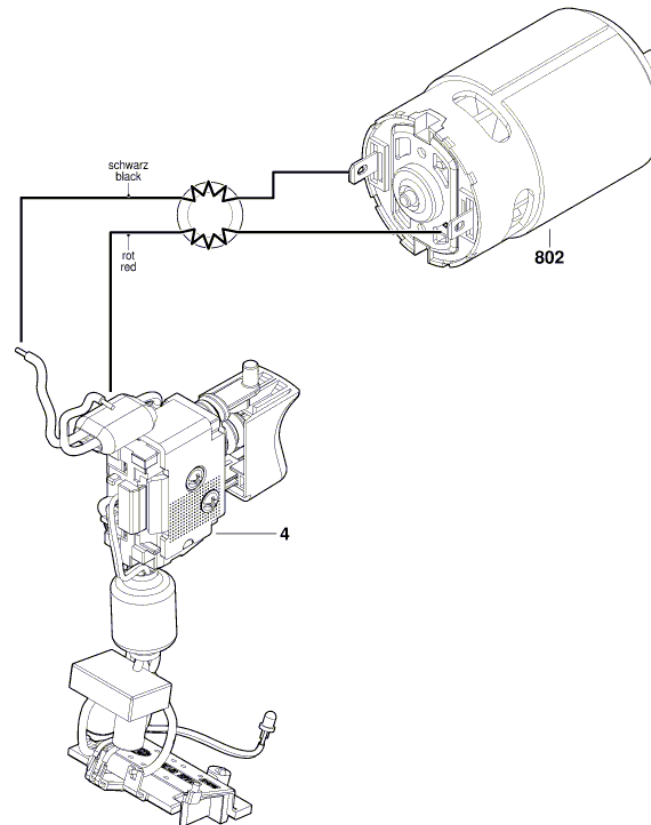


Illustration - Type - E

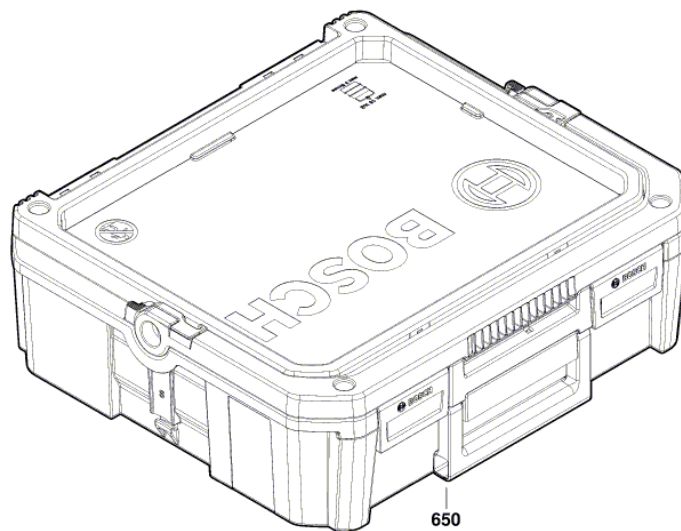
3 603 JD4 000  
Issue | 20-12-03  
Stand | **Fig./Abb. 2**



Modifications reserved  
Änderungen vorbehalten  
Modifications réservées  
Sinvo modificaciones

Illustration - Type - E

3 603 JD4 000  
Issue | 23-03-23  
Stand | **Fig./Abb. 3**



Modifications reserved  
Änderungen vorbehalten  
Modifications réservées  
Sinvo modificaciones

## Spare parts list

Item	Part Number	Description	Illustration
1	1 605 806 65U	Housing	1
4	2 607 202 525	Switch Assembly	1
5	2 609 004 264	Lever	1
9	1 601 11C 40Y	Manufacturer's nameplate    UniversalDrill 18V	1
22	1 600 A01 AS2	Symbol plate	1
23	1 600 A02 1Z3	Switch Slide	1
24	2 609 004 496	Spring	1
25	1 600 A01 03S	Keyless Chuck	1
30	2 609 005 196	Flange	1
45	1 600 A02 35V	Planetary Gear Train	1
54	2 603 414 048	Torx SH cap screw    M3x5-8.8-Z	1
59	1 605 500 2HR	Cover	1
60	1 600 A02 2JD	Lens	1
91	1 607 A35 01D	Battery Pack    Korea PBA 18V 2,0Ah	1
91	1 607 A35 0JM	Battery Pack    PBA 18V/1,5 Ah W-A	1
91	1 607 A35 0RP	Battery Pack    PBA 18V 2,0Ah W-B	1
91	2 607 337 211	Battery Pack    PBA 18V 2,0 Ah W-B	1
101	2 609 110 201	Torx Flat-Head Screw    3x16	1
107	2 603 421 229	Countersunk-Head Screw    M6x23 LEFTHAND THREADS	1
653	2 607 226 385	Fast Charger    EU AL 1810 CV 230/14,4-18V 1A	1
653	2 607 226 389	Fast Charger    AUS AL1810CV	1
653	2 607 226 393	Fast Charger    ROK AL 1810 CV 230V/14,4-18V	1
653	2 607 226 517	Charger    EU AL 18V-20 230V 2A	1
680	2 609 160 063	Screwdriver Bit	1
802	1 607 022 69P	DC motor	1
808	1 601 11A 84N	Nameplate	1
650	1 600 A01 3NM	Carrying Case    S	3